

Section 2

Printer Specifications

2.1 Electrical Specifications	2-3
2.1.1 Power Sources and Consumption	2-3
2.1.2 Power On/Off	2-3
2.1.3 Power Saver	2-3
2.1.4 Laser	2-3
2.2 Mechanical Specifications	2-3
2.3 Consumables	2-4
2.4 Status Display/Controls	2-4
2.5 Physical Location	2-5
2.6 Functional Specifications	2-5
2.7 Environment	2-6
2.8 Options	2-6
2.9 Paper Specifications	2-7
2.9.1 Paper Tray Capacity / Sizes (Tables 2.6.1a, 2.6.1b, and 2.6.1c)	2-7

2.9.2 Paper Limitations..... 2-8
2.10 Operating Language and Emulation..... 2-8
2.11 Communication Interfaces..... 2-8

2.1 Electrical Specifications

2.1.1 Power Sources and Consumption

The Xerox 4512 printer is available with either a 110 or a 220 volt configuration.

Line Voltage	Line Voltage Tolerance	Frequency	Frequency Tolerance	Running Power Consumption	Power Saver
120 VAC	90 - 132 VAC	50/60 Hz	50 - 60 Hz	500 Watts Maximum	30 Watts
220/230/240 VAC	198 - 264 VAC	50/60 Hz	50 - 60 Hz	500 Watts Maximum	30 Watts

2.1.2 Power On/Off

The Xerox 4512 is switched ON by a power ON/OFF switch mounted on the rear of the printer. The power cord is detachable and plugged into a three-wire grounded power socket. The printer powers down automatically when it is not used for a period of time (see Power Saver).

2.1.3 Power Saver

The Power Saver reduces power consumption automatically when the printer does not receive data for a period of time. User can set to delay times of 15, 30, or 45 minutes.

2.1.4 Laser

Class 1 with a maximum output of 15 milliwatts for 0.1 microseconds.

2.2 Mechanical Specifications

Unit	Width	Depth	Height	Weight
Metric	330 mm	468 mm	330 mm	15.5 Kg
SAE	13 in.	18.4 in.	13 in	34.2 lbs

2.3 Consumables

Photoconductor/Drum cartridge

- Life:
 - Max: 30,000 pages.
 - Median: = 24,000 pages (A4, Letter, 5% area coverage)
 - The cartridge is capable of producing a maximum of 30,000 prints without other detrimental effects.
 - Storage life: 36 months* from the manufacturing month.

Toner/developer kit

- Contents:
 - Toner/developer cartridge
 - Roller cleaner
 - Drum protect cover
- Life:
 - Median - 12,000 pages (A4, Letter coverage 5% area coverage)
 - Storage life: 24 months* from the manufacturing month.

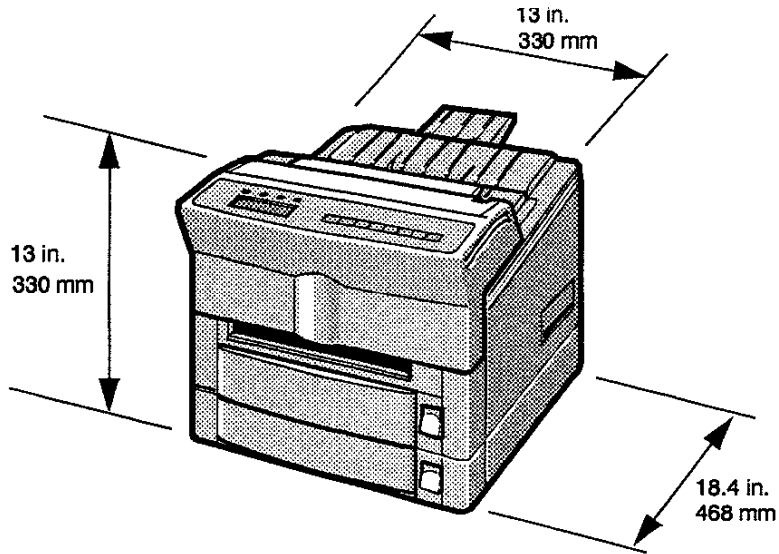
* the storage life is specified under packed and sealed conditions.

2.4 Status Display/Controls

The printer's status is controlled and displayed by:

8 Front Panel Keys, four LED's, and a 16 character LCD display.

2.5 Physical Location



2_01

The printer should be installed on a sturdy, smooth, level, and flat surface. There should be enough clearance, 8 (203 mm) inches clearance on the back and right side and a minimum of 4 (102 mm) inches on the left side, around the printer to allow air circulation around the vents to prevent the printer from overheating, and also allow you to easily:

- Open the front panel
- Remove any jammed paper
- Change consumables

2.6 Functional Specifications

Warm Up Time	First Print Out	Print Speed - ipm (impressions per minute)	Resolution - dpi (Dots per Inch)
Under 60 seconds	Under 15 seconds	Simplex - 12 ipm (A4, Letter) Duplex - 8 ipm (A4, Letter)	300 dpi / 600 dpi switchable

2.7 Environment

	Temperature	Humidity	Noise	Level
Operating	10° - 32° C 50° - 90° F	15 - 85% RH	Standby - Under 48 dB Printing - Under 52 dB EPA mode - Under 44 dB	Within 5°
Shipping	-10° - 40° C 23.8° - 104° F	10 - 90% RH	-----	-----
Ozone	-----	-----	-----	Less than 0.1 PPM

The printer must not be exposed to:

- abrupt changes in temperature or humidity (near heater or air conditioning vent)
- any condensation
- direct sunlight
- chemicals
- vibration
- extreme dust or smoke
- poor ventilation

2.8 Options

MEMORY/DRAM: Launch Configuration is 6MB (2MB onboard and a 4MB SIMM). Future configuration will be 4MB onboard memory.

- With three available memory expansion slots, memory is expandable to 50MB in units of 1, 4, or 16MB (4 MB SIMMs and 16 MB SIMMs are available from Xerox).
- Simms are industry standard 72-pin, 70-ns, 32 bit, no parity.

Paper Cassette:

- Universal Cassette
- Envelope Cassette

Postscript board:

- PostScript Level 2 - includes 35 outline fonts

Interface board:

- AppleTalk / RS-232C I/F board
- Ethernet Card
- Token Ring Card

2.9 Paper Specifications

Weight: The recommended standard paper type is Xerox DP, 20 lb. (80 gsm).

Range: = 60 to 90 GSM, 16 - 24 lbs. Cassette Duplex

60 to 136 GSM, 16 - 36 lbs. Manual Feed

2.9.1 Paper Tray Capacity / Sizes (Tables 2.9.1a, 2.9.1b, and 2.9.1c)

Table 2.9.1a Standard Tray Capacity

Paper Type	Capacity (Sheets)
A4, Letter, B5, Executive, Legal, & Folio	250
Envelope Cassette	20

Table 2.9.1b Paper Sizes

Paper Type	Size	Feed Source
A4	8.27 x 11.69 inches / 210 x 297 mm	Paper Tray or Manual
Letter	8.5 x 11 inches / 216 x 279 mm	Paper Tray or Manual
B5 (ISO)	6.93 x 9.84 inches / 176 x 250 mm	Paper Tray or Manual
Executive	7.25 x 10.5 inches / 184 x 267 mm	Paper Tray or Manual
Folio	8.5 x 13 inches / 216 x 330 mm	Paper Tray or Manual
Legal	8.5 x 14 inches / 216 x 356 mm	Paper Tray or Manual
Com- 10 Envelope	4.13 x 9.5 inches / 105 x 241 mm	Envelope Tray or Manual
Monarch Envelope	3.87 x 7.5 inches / 98 x 191 mm	Envelope Tray or Manual
DL Envelope	4.33 x 8.66 inches / 110 x 220 mm	Envelope Tray or Manual
C5 Envelope	6.38 x 9.02 inches / 162 x 229 mm	Envelope Tray or Manual
OHP Film (Transparency)	A4 or Letter	Manual Only
Label Paper	A4 or Letter	Envelope Tray or Manual
Minimum Paper Size	98mm x 190mm / 3-7/8" x 7-1/2"	Manual Only

Table 2.9.1c Output Tray

Output	Paper Type	Capacity (Sheets)
Face Down Tray	All	250

2.9.2 Paper Limitations

The following are recommended for optimum performance:

- Envelopes with peel-off adhesive strips or more than one fold-over flap to seal must have adhesives compatible with the heat and pressure of the printer's fusing process.
- Avoid:
 - Paper with embossed lettering, perforations, or rough texture.
 - Paper to which color was added after the paper was made.
 - Printed forms whose ink is not for laser printing.

Most papers that meet the specifications above may be fed either automatically through the universal paper cassette/envelope cassette, or manually through the manual feed slot.

Manual feeding, however, will be necessary for envelopes (if envelope cassette is not being used), transparency films, and some media that meet specifications but are not ideal for feeding from the Paper Cassette, e.g., paper that is either highly textured, thicker than normal for its weight, or unusually smooth.

2.10 Operating Language and Emulation

The Xerox 4512 emulates:

- Post Script Level 2 (optional)
- PCL5e

2.11 Communication Interfaces

Standard

Parallel - Conforms to IEEE STD 1284, December 2, 1994.

Connector: Female 36-pin DDK 57LE-40360-730B (D29) or equivalent.

Optional

Serial - Connector: Female 25-pin DDK 17LE-13250-28 (D4CK) or equivalent.

LocalTalk - Connector: Female 8-pin TCS7189-01-201 or equivalent.

Ethernet - Connector: BNC and RJ45.

Token Ring - Connector: RJ45.